



ENGINE

Make	FPT
Model	F4HFE613S*B005
Emissions Certification	Tier 4 Final
Emissions Technology	SCR/DOC
Type	4-stroke, turbocharged and air-to-air cooled
Cylinders	6-cylinder in-line
Bore/Stroke	4.09 x 5.20 in (104 x 132 mm)
Displacement	411 in ³ (6.7 L)
Fuel	#2 Diesel, #1 and #2 mixture permitted for cold temperatures
Fuel injection	Direct injection – electronic
Fuel pump	Bosch CP 3.3
Fuel pump gradeability:	
Side-to-side	35°
Fore and aft	35°
Fuel Filter	Replaceable full flow spin-on cartridge
Air filter	Dry type elements w/ warning restriction indicator
Mid-mount cooling module w/ auto reversing fan:	Mid-mount Air/Water w/ Lube Oil Cooler
Fan – hydraulic driven:	
Style	8 blade puller
Diameter	32 in (813 mm)
Water pump	Integral
Engine Oil pump gradeability:	
Side-to-side	35°
Fore and aft	35°
Oil filtration	Replaceable, full flow spin-on cartridge
Engine speeds	RPM
Rated – full load	2000
Horsepower – Maximum Power:	
Peak gross @ 1800 RPM	230 hp (172 kW)
Net rated @ 2000 RPM	207 hp (155 kW)
Peak net @ 1800 RPM	213 hp (159 kW)
Torque – Maximum Power:	
Gross @ 1300 RPM	873 lb-ft (1 184 N-m)
Net @ 1300 RPM	845 lb-ft (1 145 N-m)
Net torque rise:	
Maximum power range	56%

NOTE: Gross horsepower and torque per SAE J1995. Net horsepower and torque per SAE J1349.

DRIVETRAIN

Transmission:	4F/3R Proportional w/ Electronic Control Module torque sensing autoshift/manual shift and modulation
Gears	Helical cut
Gear ratios – 4-speed	Forward/Reverse
1st	3.754/3.551
2nd	2.184/2.071
3rd	1.072/1.017
4th	0.636/ —
Gear ratios – 5-speed	Forward/Reverse
1st	3.921/3.718
2nd	2.255/2.138
3rd	1.466/0.894
4th	0.942/ —
5th	0.613/ —
Torque converter:	
Stall ratio – 4-speed	2.283:1
Stall ratio – 5-speed	2.420:1
Differential:	Limited slip w/ 67% available axle torque to wheel w/ traction
Rear axle oscillation	24° total
Front and rear axles:	
Differential ratio	4.11
Planetary ratio	6.00
Final axle ratio	24.67
HD Axle Std.:	Limited Slip Front / Limited Slip Rear
Optional HD Axles	Diff Lock Front / Open Rear Diff Lock Front / Limited Slip Rear
Planetaries	Outboard
Service brakes:	Hydraulically actuated, maintenance-free, multiple wet disc w/ accumulator to all four wheels
Brake surface area:	Front and rear hub 721 in ² (0.465 m ²)
Parking brakes:	Spring-applied hydraulic release disc on transmission output shaft neutralizes power flow to wheels when engaged
Travel speeds – 4-speed transmission:	
	Forward Reverse
	mph (kph) mph (kph)
1st	4.4 (7.1) 4.7 (7.5)
2nd	7.4 (12.0) 7.8 (12.6)
3rd	14.5 (23.3) 15.2 (24.4)
4th	22.8 (36.6) —
Travel speeds – 5-speed transmission:	
	Forward Reverse
	mph (kph) mph (kph)
1st	4.1 (6.6) 4.4 (7.0)
2nd	7.1 (11.4) 7.4 (12.0)
3rd	10.6 (17.1) 17.2 (27.7)
4th	16.4 (26.4) —
5th	24.9 (40.0) —

NOTE: Travel speeds at full engine throttle w/ 23.5-R25 L3 Radial tires.

ELECTRICAL

Voltage	24 Volts, negative ground
Alternator	120 amp
Batteries (2)	12-volt

OPERATOR ENVIRONMENT

ROPS cab AC w/ heat; 8" LCD touchscreen display, adjustable armrest w/ 3 configurable buttons; Key start; Articulated power steering w/ tilt column; Fully adjustable, suspension seat w/ headrest; Foot throttle; Single lever (joystick) loader control w/ auxiliary function and fully adjustable wrist rest, 2 cup holders; Interior rear view mirror; 3 inch high visibility seat belt; Integrated 4-corner strobe; Multiple storage trays; Single brake pedal; F/N/R shuttle switch; Left and Right external rear view mirrors; Pressurized air filtering; Anti-glare window strip; Front and Rear Defroster; Side window, partial/fully open; 2 Dome lights; Wipers, rear and intermittent front; Windshield washers, front and rear; Rubber floor mat; Horn; Radio ready – Includes antenna, speakers, wiring, radio fuse, 20A converter, 12-volt auxiliary power outlet, and USB outlet.

LCD Displays/Gauges:

Transmission oil temperature; Engine coolant temperature; Fuel level; DEF level. Hour meter; Engine speed; Travel speed; Time; Automatic transmission indication; Current gear selection; FNR indication; DeClutch indication; Engine mode indication; Trip computer A/B; Fuel consumption; Multiple languages, Metric/English; Engine diagnostics; Transmission diagnostics; Warning prompts; Error reporting; Diff. Lock*.

Warning lights:

Four-way flashers and turn signals; Brake pressure; Lamp/high beam indication; Engine intake heater grid light.

Audible alarms w/ diagnostics:

Parking brake; Coolant temperature; Hydraulic oil temperature; Transmission oil temperature; Air filter; Transmission filter; Hydraulic filter; Alternator; Low fuel. Engine oil pressure; Brake pressure; Steering pressure – w/ aux steering*; Coolant temperature; Hydraulic oil temperature; Transmission oil temperature.

Backup alarm

Cab air filter; Engine oil filter; Fuel pre-filter; DEF tank vent filter; SCR supply filter; Hydraulic oil and filter; Engine air filter; Engine coolant; Drive belt; Cab recirculation filter; Engine breather filter; Transmission breather; Front and rear axle fluid; SCR supply module filter.

NOTE: *If equipped w/ option.

OPERATING WEIGHT

Z-Bar

Unit equipped w/ 3.1 m (4.0 yd) pin on bucket w/ edge, bucket level @ ground; 23.5R25 L3 Radial tires; ROPS cab with heater and A/C; Heavy counterweight; Front and rear fenders; Full fuel and DEF tanks; 165 lb (75 kg) operator:
42,414 lb (19 239 kg)

XR

Unit equipped w/ 3.1 m (4.0 yd) pin on bucket w/ edge, bucket level @ ground; 23.5R25 L3 Radial tires; ROPS cab with heater and A/C; Heavy counterweight; Front and rear fenders; Full fuel and DEF tank; 165 lb (75 kg) operator:
43,005 lb (19 507 kg)

HYDRAULICS

Main pump – steering/implement:

Closed center pressure/flow compensated

Tandem variable displacement – load-sensing:

Max rated flow x2: 31.6 gpm @ 2000 RPM
(120 L/min @ 2000 RPM)

Loader control valve:

Closed-center, sectional 2, 3 or 4-function
w/ control for lift, tilt and auxiliary hydraulics

Loader auxiliary steering:

Hydraulic orbital center-pivot articulating
w/ on-demand oil flow

High pressure standby:

Implement 3,625 psi (25 000 kPa)
Steering 3,500 psi (24 132 kPa)

Filtration:

Filtered vent w/ relief on hydraulic reservoir, maintains 3-5 psi on reservoir, 10-micron, return filter furnishes only clean oil to all components of the system

SERVICE CAPACITIES

Fuel tank 76.0 gal (288.0 L)

DEF tank – Diesel Exhaust Fluid:

Usable 9.8 gal (37.1 L)
Total 15.6 gal (58.9 L)

Hydraulic system:

Reservoir 24.0 gal (90.8 L)
Total 47.0 gal (178.0 L)

Transmission:

Service w/ filter 36.0 qt (34.1 L)

Front and rear axle:

Front axle 42.3 qt (40.0 L)
Rear axle 42.3 qt (40.0 L)

Engine oil w/ filter 16.0 qt (15.1 L)

Cooling system 32.0 qt (30.0 L)

OTHER SPECIFICATIONS

Lift cylinder:

Bore diameter 5.5 in (139.7 mm)
Rod diameter 3.0 in (76.2 mm)
Stroke 33.3 in (845.7 mm)

Dump cylinder:

Bore diameter 6.5 in (165.1 mm)
Rod diameter 3.5 in (88.9 mm)
Stroke 23.6 in (599.6 mm)

Loader:

Z-Bar loader linkage; Single control for lift and tilt; Positive hold float; Automatic return-to-dig; Automatic height control; Automatic return-to-travel; Brake pedal transmission disconnect; Bucket position indicator on bucket.

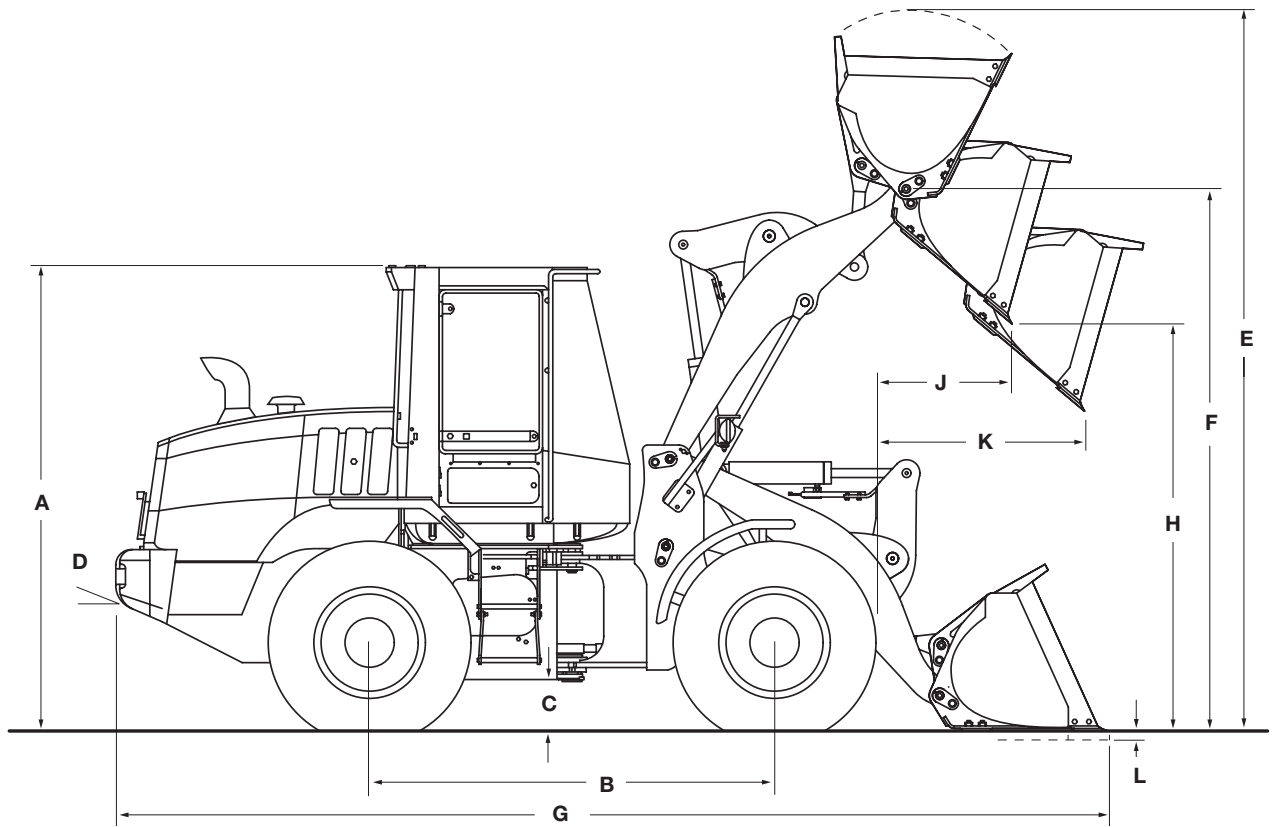
Cycle time:

Raise w/ rated bucket load 6.2 sec
Dump w/ rated bucket load 1.2 sec
Float down 2.5 sec

Sound level in Cab (LpA) 68 dB(A)

Exterior sound level (LwA) 104 dB(A)

NOTE: Sound level data tested in accordance with ISO6395, 6396, 3744.



Line drawings are for illustrative purpose only and may not be exact representation of unit.

DIMENSIONS

A. Height to top of ROPS cab	136.2 in (3 460 mm)
Height to drawbar	42.6 in (1 081 mm)
B. Wheelbase	131.5 in (3 340 mm)
C. Ground clearance	17.0 in (431 mm)
D. Angle of departure	29°
Width:	
Overall* without bucket	111.4 in (2 829 mm)
Tread width	87.8 in (2 230 mm)
Turning radius* – outside	236.3 in (6 003 mm)
Turning angle:	
From center	40°
Total angle	80°
Rear axle oscillation – total	24°

NOTE: *Dimensions taken with 23.5-R25 L3 Radial tires. Additional dimensions on pages 4 through 8.

WEIGHT ADJUSTMENTS

Select Options	Weight Adjustment	Tipping Load Adjustment Straight: Deflected*	Tipping Load Adjustment 40° Turn: Deflected*
23.5-R25 L2 Bias	-748 lb (-339 kg)	-610 lb (-277 kg)	-971 lb (-440 kg)
23.5-R25 L2 Radial tires	-28 lb (-13 kg)	-104 lb (-47 kg)	-133 lb (-60 kg)
23.5-R25 Snow Radial Tires	+52 lb (+24 kg)	+162 lb (+73 kg)	+166 lb (+75 kg)

NOTE: Unit equipped with Z-Bar loader arms, 4.25 yd³ (3.2 m³) general purpose pin on bucket with bolt-on edge, 23.5-R25 L3 Radial tires, ROPS cab with heater and air conditioner, heavy counterweight, heavy-duty batteries, front and rear fenders, full fuel and 165 lb (75 kg) operator. Adjust select options from rated weight.
*Tipping loads: ISO 14397-1 Deflected Tires.

PERFORMANCE SPECS

821G Z-Bar*		4.75yd³ (3.6 m³) Bucket with Bolt-on Edge - Pin On	4.5 yd³ (3.4 m³) Bucket with Bolt-on Edge - Pin On	4.0 yd³ (3.1 m³) Bucket with Bolt-on Edge - Pin On
Operating weight		42,714 lb (19 375 kg)	42,495 lb (19 275 kg)	42,414 lb (19 239 kg)
E.	Operating height – fully raised with spillguard	219.7 in (5 581 mm)	216.6 in (5 502 mm)	214.1 in (5 438 mm)
F.	Hinge pin height – fully raised	162.1 in (4 116 mm)	162.1 in (4 117 mm)	162.1 in (4 117 mm)
G.	Overall length – bucket level on ground	319.7 in (8 120 mm)	316.6 in (8 041 mm)	314.1 in (7 977 mm)
Dump angle – fully raised		55°	55°	55°
H.	Dump height – fully raised, 45° dump	114.3 in (2 904 mm)	117.3 in (2 981 mm)	118.0 in (2 996 mm)
J.	Bucket reach – fully raised, 45° dump	46.8 in (1 189 mm)	44.4 in (1 128 mm)	42.5 in (1 080 mm)
K.	Bucket reach – 7 ft 0 in (2.13 m) height, 45° dump	46.8 in (1 189 mm)	44.4 in (1 128 mm)	42.5 in (1 080 mm)
L.	Dig depth	3.2 in (81 mm)	3.2 in (81 mm)	3.2 in (81 mm)
Operating load – ISO Rigid Tires		15,393 lb (6 982 kg)	15,592 lb (7 072 kg)	15,705 lb (7 124 kg)
Operating load – ISO Deflected Tires		14,041 lb (6 369 kg)	14,244 lb (6 461 kg)	14,361 lb (6 514 kg)
Maximum material density – ISO Rigid Tires		3,241 lb/yd ³ (1 923 kg/m ³)	3,465 lb/yd ³ (2 056 kg/m ³)	3,926 lb/yd ³ (2 330 kg/m ³)
Maximum material density – ISO Deflected Tires		2,956 lb/yd ³ (1 754 kg/m ³)	3,165 lb/yd ³ (1 878 kg/m ³)	3,590 lb/yd ³ (2 130 kg/m ³)
Tipping load – ISO Rigid Tires:				
	Straight	36,932 lb (16 752 kg)	37,345 lb (16 940 kg)	35,243 lb (15 986 kg)
	40° turn	30,786 lb (13 964 kg)	21,184 lb (14 145 kg)	28,722 lb (13 028 kg)
Tipping load – ISO Deflected Tires:				
	Straight	34,577 lb (15 684 kg)	34,577 lb (15 684 kg)	30,829 lb (13 984 kg)
	40° turn	28,082 lb (12 738 kg)	28,082 lb (12 738 kg)	24,913 lb (11 300 kg)
Lift capacity:				
	Full height	21,683 lb (9 835 kg)	21,907 lb (9 937 kg)	21,992 lb (9 975 kg)
	Ground	38,088 lb (17 277 kg)	40,023 lb (18 154 kg)	40,237 lb (18 251 kg)
Breakout force with tilt cylinder		32,145 lb (14 581 kg)	34,240 lb (15 531 kg)	36,100 lb (16 375 kg)
Loader clearance circle with bucket		525.8 in (13 356 mm)	524.1 in (13 311 mm)	522.7 in (13 275 mm)

821G XR		4.5 yd³ (3.4 m³) Bucket with Bolt-on Edge - Pin On	4.0 yd³ (3.1 m³) Bucket with Bolt-on Edge - Pin On
Operating weight		43,086 lb (19 543 kg)	43,005 lb (19 507 kg)
E.	Operating height – fully raised with spillguard	234.0 in (5 943 mm)	231.5 in (5 879 mm)
F.	Hinge pin height – fully raised	179.4 in (4 558 mm)	179.5 in (4 558 mm)
G.	Overall length – bucket level on ground	335.7 in (8 526 mm)	333.2 in (8 463 mm)
Dump angle – fully raised		49°	49°
H.	Dump height – fully raised, 45° dump	133.7 in (3 397 mm)	135.3 in (3 438 mm)
J.	Bucket reach – fully raised, 45° dump	48.9 in (1 241 mm)	46.9 in (1 192 mm)
K.	Bucket reach – 7 ft 0 in (2.13 m) height, 45° dump	84.6 in (2 149 mm)	83.3 in (2 116 mm)
L.	Dig depth	5.8 in (147 mm)	5.8 in (147 mm)
Operating load – ISO Rigid Tires		12,522 lb (5 680 kg)	12,617 lb (5 723 kg)
Operating load – ISO Deflected Tires		11,575 lb (5 250 kg)	11,672 lb (5 294 kg)
Maximum material density – ISO Rigid Tires		2,783 lb/yd ³ (1 651 kg/m ³)	3,154 lb/yd ³ (1 872 kg/m ³)
Maximum material density – ISO Deflected Tires		2,783 lb/yd ³ (1 651 kg/m ³)	2,918 lb/yd ³ (1 731 kg/m ³)
Tipping load – ISO Rigid Tires:			
	Straight	30,036 lb (13 624 kg)	30,235 lb (13 714 kg)
	40° turn	25,043 lb (11 359 kg)	25,233 lb (11 446 kg)
Tipping load – ISO Deflected Tires:			
	Straight	28,462 lb (12 910 kg)	28,666 lb (13 002 kg)
	40° turn	23,150 lb (10 501 kg)	23,344 lb (10 589 kg)
Lift capacity:			
	Full height	20,082 lb (9 109 kg)	20,166 lb (9 147 kg)
	Ground	30,432 lb (13 804 kg)	30,654 lb (13 904 kg)
Breakout force with tilt cylinder		34,813 lb (15 791 kg)	36,702 lb (16 648 kg)
Loader clearance circle with bucket		543.5 in (13 804 mm)	541.8 in (13 761 mm)

821G		Z-Bar/XR	Z-Bar/XR
Maximum rollback:			
	Ground	41°/38°	42°/38°
	Carry position	45°/43°	45°/43°
	@ Full height	59°/60°	59°/60°
Maximum grading angle with bucket – back dragging		60°/63°	61°/63°
SAE bucket capacity – struck		3.80yd ³ (2.91m ³)	3.40 yd ³ (2.60 m ³)
Heaped		4.50 yd ³ (3.44 m ³)	4.00 yd ³ (3.06 m ³)
Bucket width – outside		119.3 in (3 030 mm)	119.3 in (3 030 mm)
Bucket weight		3,558 lb (1 614 kg)	3,477 lb (1 577 kg)

PERFORMANCE SPECS

821G Z-Bar*		4.0 yd³ (3.06 m³) Bucket with Bolt-on Edge - JRB Coupler	4.5 yd³ (3.4 m³) Bucket with Bolt-on Edge - JRB Coupler	4.0 yd³ (3.1 m³) Bucket with Bolt-On Edge - ACS Coupler
Operating weight		43,799 lb (19 867 kg)	43,851 lb (19 891 kg)	43,849 lb (19 889 kg)
E. Operating height – fully raised with spillguard		221.8 in (5 633 mm)	223.0 in (5 664 mm)	218.8 in (5 557 mm)
F. Hinge pin height – fully raised		162.0 in (4 115 mm)	162.0 in (4 115 mm)	162.0 in (4 115 mm)
G. Overall length – bucket level on ground		325.2 in (8 260 mm)	326.4 in (8 289 mm)	320.9 in (8 151 mm)
Dump angle – fully raised		55°	55°	55°
H. Dump height – fully raised, 45° dump		110.8 in (2 814 mm)	110.0 in (2 795 mm)	113.6 in (2 884 mm)
J. Bucket reach – fully raised, 45° dump		51.0 in (1 296 mm)	51.9 in (1 318 mm)	47.9 in (1 215 mm)
K. Bucket reach – 7 ft 0 in (2.13 m) height, 45° dump		71.1 in (1 806 mm)	71.6 in (1 818 mm)	69.4 in (1 763 mm)
L. Dig depth		3.2 in (82 mm)	3.2 in (82 mm)	3.1 in (80 mm)
Operating load – ISO Rigid Tires		13,9928 lb (6 318 kg)	13,879 lb (6 296 kg)	14,339 lb (6 504 kg)
Operating load – ISO Deflected Tires		12,687 lb (5 755 kg)	12,636 lb (5 731 kg)	13,059 lb (5 924 kg)
Maximum material density – ISO Rigid Tires		3,482 lb/yd ³ (2 066 kg/m ³)	3,266 lb/yd ³ (1 938 kg/m ³)	3,585 lb/yd ³ (2 127 kg/m ³)
Maximum material density – ISO Deflected Tires		3,172 lb/yd ³ (1 882 kg/m ³)	2,973 lb/yd ³ (1 764 kg/m ³)	3,265 lb/yd ³ (1 937 kg/m ³)
Tipping load – ISO Rigid Tires:				
	Straight	33,600 lb (15 241 kg)	33,501 lb (15 196 kg)	34,582 lb (15 686 kg)
	40° turn	27,856 lb (12 635 kg)	27,759 lb (12 591 kg)	28,678 lb (13 008 kg)
Tipping load – ISO Deflected Tires:				
	Straight	31,458 lb (14 269 kg)	31,354 lb (14 222 kg)	32,366 lb (14 681 kg)
	40° turn	25,373 lb (11 509 kg)	25,272 lb (11 463 kg)	26,119 lb (11 847 kg)
Lift capacity:				
	Full height	20,510 lb (9 303 kg)	20,456 lb (9 279 kg)	20,502 lb (9 299 kg)
	Ground	28,046 lb (12 722 kg)	27,717 lb (12 572 kg)	31,997 lb (14 514 kg)
Breakout force with tilt cylinder		28,801 lb (13 064 kg)	38,215 lb (12 798 kg)	31,092 lb (14 103 kg)
Loader clearance circle with bucket		529.0 in (13 437 mm)	529.7 in (13 454 mm)	526.5 in (13 373 mm)

821G XR		4.0 yd³ (3.06 m³) Bucket with Bolt-on Edge - JRB Coupler	4.25 yd³ (3.2 m³) Bucket with Bolt-on Edge - JRB Coupler	4.0 yd³ (3.1 m³) Bucket with Bolt-On Edge - ACS Coupler
Operating weight		44,389 lb (20 135 kg)	44,442 lb (20 258 kg)	44,439 lb (20 157 kg)
E. Operating height – fully raised with spillguard		239.2 in (6 075 mm)	240.3 in (6 105 mm)	236.2 in (5 999 mm)
F. Hinge pin height – fully raised		179.4 in (4 556 mm)	179.4 in (4 556 mm)	179.4 in (4 556 mm)
G. Overall length – bucket level on ground		344.3 in (8 745 mm)	345.5 in (8 775 mm)	340.0 in (8 637 mm)
Dump angle – fully raised		49°	49°	49°
H. Dump height – fully raised, 45° dump		128.1 in (3 255 mm)	127.4 in (3 236 mm)	130.9 in (3 326 mm)
J. Bucket reach – fully raised, 45° dump		55.4 in (1 408 mm)	56.3 in (1 430 mm)	52.3 in (1 328 mm)
K. Bucket reach – 7 ft 0 in (2.13 m) height, 45° dump		88.8 in (2 254 mm)	89.3 in (2 268 mm)	86.8 in (2 206 mm)
L. Dig depth		5.9 in (149 mm)	5.9 in (149 mm)	5.8 in (146 mm)
Operating load – ISO Rigid Tires		11,172 lb (5 068 kg)	11,130 lb (5 048 kg)	11,457 lb (5 197 kg)
Operating load – ISO Deflected Tires		10,291 lb (4 668 kg)	10,247 lb (4 648 kg)	10,551 lb (4 786 kg)
Maximum material density – ISO Rigid Tires		2,793 lb/yd ³ (1 657 kg/m ³)	2,619 lb/yd ³ (1 554kg/m ³)	2,864 lb/yd ³ (1 700 kg/m ³)
Maximum material density – ISO Deflected Tires		2,573 lb/yd ³ (1 527 kg/m ³)	2,411 lb/yd ³ (1 431 kg/m ³)	2,638 lb/yd ³ (1 565 kg/m ³)
Tipping load – ISO Rigid Tires:				
	Straight	27,042 lb (12 266 kg)	26,953 lb (12 226 kg)	27,725 lb (12 576 kg)
	40° turn	22,345 lb (10 135 kg)	22,259 lb (10 097 kg)	22,913 lb (10 393 kg)
Tipping load – ISO Deflected Tires:				
	Straight	25,586 lb (11 605 kg)	25,495 lb (11 565 kg)	26,225 lb (11 896 kg)
	40° turn	20,581 lb (9 336 kg)	20,494 lb (9 296 kg)	21,102 lb (9 572 kg)
Lift capacity:				
	Full height	18,699 lb (8 482 kg)	18,645 lb (8 457 kg)	18,685 lb (8 475 kg)
	Ground	27,904 lb (12 657 kg)	27,805 lb (12 612 kg)	28,403 lb (12 883 kg)
Breakout force with tilt cylinder		29,293 lb (13 287 kg)	28,698 lb (13 017 kg)	31,622 lb (14 343 kg)
Loader clearance circle with bucket		549.4 in (13 955 mm)	550.2 in (13 976 mm)	546.4 in (13 879 mm)

821G		Z-Bar/XR	Z-Bar/XR	Z-Bar/XR
Maximum rollback:				
	Ground	42°/38°	42°/37°	42°/37°
	Carry position	45°/43°	45°/43°	45°/43°
	@ Full height	59°/60°	59°/60°	59°/60°
Maximum grading angle with bucket – back dragging		62°/65°	64°/67°	61°/64°
SAE bucket capacity – struck		3.40 yd ³ (2.60 m ³)	3.25 yd ³ (2.48 m ³)	3.40 yd ³ (2.60 m ³)
Heaped		4.00 yd ³ (3.06 m ³)	3.80 yd ³ (2.91 m ³)	4.00 yd ³ (3.06 m ³)
Bucket width – outside		119.3 in (3 030 mm)	119.2 in (3 027 mm)	119.3 in (3 030 mm)
Bucket weight		4,862 lb (2 205 kg)	4,629 lb (2 100 kg)	4,912 lb (2 228 kg)

NOTE: *Z-Bar performance data shown with full counterweight.
Performance data unit equipped with 23.5-R25 L3 Radial tires, ROPS cab with heater and air conditioner, full counterweight, standard batteries, front and rear fenders, full fuel and 165 lb (75 kg) operator. Specifications per SAE J732, J1234, J695, J742, and J818.

STANDARD EQUIPMENT

OPERATOR ENVIRONMENT

See page 1

ENGINE

CASE/FPT F4HFE613S
Tier 4 Final Certified
Selective Catalytic Reduction (SCR) with Diesel Oxidation Catalyst
Selectable work modes:
Maximum Mode
Smart Mode
Turbocharger
Charge air cooling
Automatic belt tensioner
Integral engine oil cooling
Fuel filter with water trap
Dual-element dry-type air cleaner
Hydraulic-driven cooling fan
Air-cooled radiator
Mid-mounted cooling module with hydraulically driven auto reversing fan
Engine block heater
Common rail electronic fuel injection

LOADER

See page 2 – Operating weight,
Other specifications

DRIVETRAIN

4-wheel drive
4F/3R Selectable autoshift/manual shift transmission
Electronic Control Module – programmable, computer controlled proportional shifting with programmable gear selection
Onboard diagnostics
Single lever electronic shift control
F/N/R switch in loader control handle
Downshift button
Torque converter
Limited-slip differentials
Outboard planetary axles
Transmission oil cooler
Brake pedal transmission disconnect – declutch
Hydraulic wet disc brakes
Spring-applied hydraulic release parking brake
Limp-Home Mode
Greaseable rear axle trunnion
3-piece rims

HYDRAULICS

Adjustable Electro-hydraulic - EH loader control with one auxiliary function and 3 configurable buttons
Adjustable EH settings:
Smooth
Moderate
Aggressive
Auxiliary Hydraulics
Ride Control™
Locking hydraulics for coupler
EH Parallel Lift
Low-effort steering
Hydraulic driven cooling fan
Diagnostic quick couplers
Split flange hydraulic connections – 1 in or greater
Hydraulic oil cooler

ELECTRICAL

Alternator and voltage regulator
Battery isolator/electrical disconnect
120 amp alternator
(2) 700 CCA 12-volt batteries
Electric starter
Lights:
Integrated 4-corner strobe
2 Front and 2 rear halogen flood lights
2 Front driving headlights – high/low beam with integrated turn signals
2 LED stop/tail lights with integrated turn signals
Key start/stop switch
Backup alarm
Centrally located fuse box with all electrical circuits protected
Remote jump start posts

OTHER

Electric hood lift
Front and rear fenders, partial coverage
External rear view mirrors
Heavy counterweight
Drawbar hitch
Articulation locking bar
Lift arm locking bar
Lift and tie-down points – front/rear
Rear frame side covers
License plate brackets; front bracket and lit rear bracket
Rubber steering stops
Grouped remote-mounted ecology drains:
Engine oil
Engine coolant
Hydraulic oil

TELEMATICS

CASE SiteWatch™ Telematics – includes hardware and a 5-yr Advanced data subscription
SiteConnect Module providing remote diagnostics capability

OPTIONAL EQUIPMENT

OPERATOR ENVIRONMENT

Cloth-covered heated air-suspension seat with headrest
Sound Shield noise suppression package
Bluetooth radio, 12V AM/FM with auxiliary input
Cab convenience package:
Rear sun shade, interior mirror, under the seat drawer, coat hook, 12V accessory port, and an ash tray
In cab powered cooler box
In cab accessory mount
Rear view camera
External heated rear view mirrors
Front LED driving/headlights
LED front and rear work lights – 4 front, 2 rear

DRIVETRAIN

5F/3R Autoshift/manual shift transmission, lockup torque converter, PowerInch de-clutch
HD axles options:
Diff Lock Front / Open Rear
Diff Lock Front / Limited Slip Rear
Cold weather package:
Heavy-duty (2) 950 CCA 12V batteries
Fuel heater
Hydraulic oil cooler bypass
Low temperature hydraulic oil
Fast-warm hydraulic valve

HYDRAULICS

Secondary steering
Integrated Payload System
Tire Pressure Monitoring System
2-function loader valve with joystick loader control
4-function loader valve with joystick loader control and two proportional auxiliary roller switches

LOADER

XR extended reach version
Attachment auxiliary hydraulics
Coupler systems – JRB or ACS compatible
Buckets – see pages 4 through 6

TIRES

23.5 x 25 L2 bias – dirt/traction
23.5 x 25 L3 bias – rock
23.5-R25 L2 radial – dirt/traction
23.5-R25 L3 radial – rock
23.5-R25 radial Michelin SnoPlus
Axle oscillation stops

ADVANCED ENGINE AIR FILTRATION

Sy-Klone® ejector type pre-cleaner

OTHER

Additional RH steps and platform with standard or wide fenders
12.4 mph (20 kph) maximum speed control
Special paint
Skid plate and transmission
Standard fenders with right and left hand steps
Wide full coverage fenders with right and left hand steps

CaseCE.com

©2024 CNH Industrial America LLC. All rights reserved. CASE is a trademark registered in the United States and many other countries, owned by or licensed to CNH Industrial N.V., its subsidiaries or affiliates. CNH Industrial Capital is a trademark in the United States and many other countries, owned by or licensed to CNH Industrial N.V., its subsidiaries or affiliates. Printed in U.S.A. Contains 10% post-consumer fiber.

IMPORTANT: CASE Construction Equipment Inc. reserves the right to change these specifications without notice and without incurring any obligation relating to such change. Availability of some models and equipment builds vary according to the country in which the equipment is used. The illustrations and text may include optional equipment and accessories and may not include all standard equipment. Your CASE dealer/distributor will be able to give you details of the products and their specifications available in your area.



CASE Construction Equipment is biodiesel-friendly. NOTE: All engines meet current EPA emissions regulations. All specifications are stated in accordance with SAE Standards or Recommended Practices, where applicable.



Always read the Operator's Manual before operating any equipment. Inspect equipment before using it, and be sure it is operating properly. Follow the product safety signs and use any safety features provided.